



## **TENDER NOTICE**

**Tender ref: RDF/UEP/GPS Ali Akber Nizamani/07/12-11-2017/30**

Research & Development Foundation (RDF) is a non-profit, non- governmental organization, Working in Sindh, invites sealed tenders from registered suppliers/contractors for below mentioned lots;

<b>S.No</b>	<b>Description</b>	<b>Specification required</b>
<b>1</b>	<b>Supply of Construction Material</b>	<b>Detail in Tender Pack</b>
<b>2</b>	<b>Labour work for construction</b>	<b>Detail in Tender Pack</b>

### **Terms and Conditions:**

1. The tender documents can be collected from (Research & Development Foundation (RDF) House # A-50 Sindhi Muslim Cooperative Housing Society, Qasimabad, Hyderabad during office hours (9:00am to 5:00pm) not later than November 21, 2017. The tender pack can also be downloaded through our website [www.rdfoundation.org.pk](http://www.rdfoundation.org.pk) or by sending an e-mail to [logistics@rdfoundation.org.pk](mailto:logistics@rdfoundation.org.pk);
2. Sealed tenders should reach (Research & Development Foundation (RDF) on or before (November 22, 2017 at 11:00 AM) and should be clearly marked "TENDER - Not to be opened before "(November 22, 2017 at 12:00 PM)". Tenders will be opened on (November 22, 2017 at 12:00 PM) in the presence of suppliers or their representatives, who wish to witness the tender opening.
3. A Refundable **Pay order/ Demand draft** in favor of "Research & Development Foundation (RDF)" with a Value of 1% of the bid amount must also accompany the bid as Tender Guarantee.
4. The delivery address will be Government Primary School at Village Ali Akbar Nizamani Taluka Matli District Badin.
5. Tender committee reserves the right to cancel/reject any or all offers without assigning any reason.
6. Lowest price will not be the sole criteria. **Quality, previous experience and timely delivery** will be considered.
7. Under no Circumstances shall any bidder deem that the entire tender shall be awarded to a single bidder.
8. Payment will be made on satisfactory delivery of supplies through cross cheque.
9. Tender Committee or its representative reserves the right to inspect the goods in successful bidder's Warehouse for verification.
10. Tender price must be inclusive of delivery costs and all admissible taxes while relevant taxes will be deducted at source. Copies of NTN numbers must also accompany the tenders.
11. Tender committee reserves the right to alter the quantity, if required.



12. An agreement will be signed with successful bidder(s) for timely supply of appropriate quality items and method of payment. Failure to meet the conditions of the agreement will result in cancellation of the agreement at the risk and cost of the supplier.
13. In case the supplies are delayed, (RDF) will impose a fine of 0.5 % per Day of the total amount of contract for each day of delay, and delay of material maximum 15 days after 15 days contract will be cancelled and security deposit will not refund.
14. (RDF) reserves the right to forfeit the Performance Guarantee in case of breach of the agreement.
15. Tender Offers must be valid for minimum 180 days (after the tender announcement).
16. Tender publication does not constitute any commitment on part of (RDF) unless a written agreement is signed by both parties.
17. If any supplier is shortlist after all process and regret to accept the purchase order his security deposit will not return.



**Doc 2: Letter of Invitation to Tender**

**RDF/UEP/GPS Ali Akber Nizamani/07/12-11-2017/30**

Dear Sir/Madam,

**SUBJECT: INVITATION TO TENDER FOR SUPPLY OF CONSTRUCTION MATERIAL AT GOVERNMENT PRIMARY SCHOOL MATLI, DISTRICT BADIN.**

Further to your enquiry regarding the publication of the above-mentioned Invitation to Tender, please find enclosed the following documents, which constitute the tender dossier:

- A. General Condition of Tender (See Doc 3)**
- B. Declaration of Eligibility (See Doc 4)**
- C. Bid form Supplier (See Doc 5)**
- D. Price Schedule (See Doc 6)**
- E. Tender Documents Receipt (See Doc7)**

We look forward to receiving your tender on or before **<November 22, 2017 at 11:00 AM >** at the address specified in the tender dossier.

Your tender bid must include the following documentation so please use the list below as a 'Checklist' before submitting your tender to RDF.

- 1. Technical Specification**
- 2. Financial Offer**
- 3. Signed Tenderers Declaration**
- 4. Company Certificate of Registration (PEC, NTN, GST, SRB)**
- 5. Completed 'Tenderers Relevant Experience Form'**
- 6. Samples. Please note that samples provided which do not meet the minimum specifications as per the attached tender dossier, will not qualify to the final tender evaluation process.**

Offers must be submitted in sealed envelopes, marked "not to be opened before **< November 22, 2017 at 12:00 PM >**" and should bear the tender reference specified above on the outside of the envelope for identification purposes.

Yours sincerely,

Anas Memon  
Procurement Section  
RDF (Research and Development Foundation)



### Doc: 3. General Condition for Tender

<b>Location:</b> Research & Development Foundation (RDF) Phone # 022-2102702-3	<b>Tender Ref:</b> RDF/UEP/GPS Ali Akber Nizamani/07/12-11-2017/30
<b>Project :</b> “UEP-GPS Ali Akber Nizamani” Badin	<b>Date:</b> 12 <sup>th</sup> November 2017

#### General Conditions for Tender

**1. Scope: Research & Development Foundation (RDF)** invites tenders for the supplies/ works described and summarized in accordance with procedures, conditions and contract terms, as prescribed in the tender documents. **(RDF)** reserve the right to vary the quantity of work/materials/supplies specified in the Tender Documents without any changes in unit price or other terms and conditions and to accept or reject any, all, or part of submitted offers.

**2. Language:** As determined by **Research & Development Foundation (RDF)**, the working language of this tender is English. Other languages will not be accepted.

**3. Qualifying and Conditions:** The main criteria for admission to the tender are as follows:

- a) Certificate of Registration
- b) Valid Tax Registration
- c) Good track-record and references from previous clients
- d) Recognized bank account **((RDF)** will make all payments through cross cheque or through bank transfers, and show financial soundness through bank statements.

#### 4. Tender

##### Basis:

- All Tender Documents must be completed in full, or the application will be disqualified.
- All Applicants will receive identical documents: No applicant should add, omit, or change any item, term or condition in original papers.
- If Applicants have any additional request and conditions, this shall be stipulated in a separate letter accompanying the bid.
- Each applicant should take one bid only.
- Each bid shall be valid for the period of 90-days from its date of submission.
- Bids shall be made in writing calculated in PKR only and clearly stated on the appropriate forms.
- All prices must include all taxes, compulsory payments, levies and duties, including Sales Tax (if applicable).**
- The price schedule must include all information requested, including origin of materials.
- The applicant shall attach a detailed timetable for carrying out the works and propose ways and means to realize the works.
- (RDF)** is not liable for any damage to the applicant person or property in the event that something should occur. **(RDF)** strongly recommends that all applicants take extra precaution when visiting/delivering supplies to a project site.

**5. Payments:** Payment will be made upon satisfactory delivery and technical test report (if any) of the supplies to the location mentioned in tender notice / Invitation of Tender.

**6. Performance Standards:** The supplies must be undertaken in accordance with all relevant rules,



regulations and statutes currently in force in Pakistan.

**7. Tender Documents:** All Tender Documents included in this package are listed on the Tender Document Receipt Form, signed by each recipient.

**8. Eligibility of Applicants:** Applicants cannot apply if they:

- Are not registered companies.
- Are bankrupt or in the process of going bankrupt.
- have been convicted for an offense concerning professional conduct.
- have been guilty of grave professional misconduct (proven by any means which the contracting authorities can justify).
- have not fulfilled obligations related to payment of taxes.
- Are guilty of serious misinterpretation in supplying information.
- Are in situations of conflict of interest (with prior relationship to project or family or business relationship to parties on **(RDF)**).
- were declared at serious fault of implementation owing to a breach of their contractual obligations
- Are on any list of sanctioned parties issued by the Pakistan Government, United States Government, and European Union.

**9. Bid Delivery:** All tenders will be delivered in standard format (Sealed Envelope).

**10. (RDF) address** in a sealed envelope and by the date stated in Tender Documents. The envelope will be clearly marked with the precise reference of the invitation to which it is a response, the delivery address and the name of the applicant. Tenders delivered after the specified time will not be accepted.

**11. Bid Opening:** The bids will be opened in the presence of the Tender Committee and Applicant's Representative (who wish to witness), at the address and on the date specified in the Tender Documents. The applicant's name, the bid prices, the total amount of the bid, any discounts and such other information may consider appropriate will be announced and registered in the minutes.

**12. Bid Evaluation:** The Tender Committee will check the tenders to ensure that they contain no amendment to the terms or any other (calculation) errors. To assist in the examination, evaluation and comparison of bids, the Tender Committee may, at its discretion, request clarification from the **(RDF)** staff or consultant.

**13. Technical Evaluation:** The offers will first be evaluated on technical merits. The technical evaluation assesses the capacity of the company on the basis of submitted technical documents.

**14. Financial Evaluation:** The financial evaluation subject to the Technical evaluation is based on the cost of assignment given in the tender.

**15. Other Evaluations:** After ranking companies according to financial and technical criteria, the Tender Committee may take into account other criteria, including, but not limited to record of past performance, integrity, samples and community rapport, when assigning companies to the designated short list.

**16. Selection of Tender:** Selection of the successful applicant will be based on the ranking of



companies according to financial and technical criteria, as well as any other criteria suggested by the Tender Committee. Based on this the Tender Committee will then make a recommendation.

**17. Acceptance of Successful Tender:** Taking into consideration the recommendation of the Tender Committee, **(RDF)** will make the final choice of the awarded firm. **(RDF)** will then send a letter of acceptance to the successful applicant. After submitted documentation from the selected firm has been verified, the firm will then be documented as an “Annex” to the contract and will be determined by **(RDF)**.

Research & Development Foundation  
**(RDF) PURCHASING TERMS AND**  
**CONDITIONS**

Unless the context indicates otherwise, the term “Buyer” refers to (RDF). The term “Supplier” refers to the entity named on the order and contracting with the Buyer. The term “Contract” can be taken to mean either (a) the purchase order or (b) the supply agreement, whichever is in place.

**GENERAL TERMS AND CONDITIONS**

- 1) Price: The prices stated on the order shall be held firm for the period and / or quantity unless specifically stated otherwise
- 2) Source of Instructions: The Supplier shall not seek nor accept instructions from any source external to (RDF) in relation to the performance of the contract.
- 3) Assignment: The Supplier shall not assign, transfer, sublet or subcontract the contract or any part thereof without the prior written consent of the Buyer.
- 4) Corruption: The Supplier shall not give, nor offer to give, anyone employed by the Buyer an inducement or gift that could be perceived by others to be a bribe. The Supplier agrees that a breach of this provision may lead to an immediate end to business relationships and termination of existing contracts.
- 5) Confidentiality : All data, including but not limited to, maps, drawings, photographs, estimates, plans, reports and budgets that has been compiled by or received by the Supplier under the contract shall be the property of (RDF) and shall be treated as confidential. All such data should be delivered to the authorized officials representing the Buyer upon request.
  - 5.1 The Supplier may not communicate at any time to any other person, government or authority external to (RDF), any information that has been compiled through association with (RDF) which has not been made public except with written authorization from the Buyer. These obligations do not lapse upon termination of the contract.
- 6) Use of Emblem or Name: Unless otherwise agreed in writing; the Supplier shall not advertise nor make public the fact that it is not supplying goods or services to the Buyer, nor shall the Supplier in any way whatsoever use the name or emblem of (RDF) in connection with its business or otherwise.
- 7) Observance of Law: The Supplier shall comply with all laws, ordinances, rules and regulations bearing upon the performance of its obligations under the terms of the contract.



8) Force Majeure: The meaning of the term can be taken to mean acts of God, war (declared or not), invasion, revolution, insurrection or acts similar in nature or force.

8.1 In the event of and as soon as possible after the occurrence of any cause deemed *force majeure*, the Supplier must inform the Buyer of the full particulars in writing. If the Supplier is rendered unable either in part or in whole to perform its obligations then the Buyer shall take such action as it considers, in its sole discretion, to be appropriate or necessary in the circumstances.

8.2 If the Supplier is permanently rendered incapable in whole or part by reason of *force majeure* to complete its obligations and responsibilities under the contract then the Buyer will have the right to suspend or terminate the contract on the same terms and conditions laid out in section 9, Cancellation.

9) Cancellation: The Buyer reserves the right to cancel the contract should it suspend its activities or through changes to its mandate by virtue of the Executive Council of (RDF) and/or lack of funding. In such a case the Supplier shall be reimbursed by (RDF) for all reasonable costs incurred by the Supplier, including all materials satisfactory delivered and conforming to specification and terms of contract, prior to receipt of the termination notice.

9.1 Should the supplier encounter solvency problems including, but not limited to, bankruptcy, liquidation, receivership and similar, the buyer reserves the right to terminate the contract immediately without prejudice to any other right or remedy it may have under the terms of these conditions.

10) Warranty: The Supplier shall provide the Buyer with all manufacturers' warranties. The supplier warrants that all goods supplied in relation to the contract meets specification, is defect free and is fit for the purpose of the intended use. If, during the warranty period, the goods are found to be defective or non-conforming to specification, the Supplier shall promptly rectify the defect. If the defect is permanent then at the choice of the Buyer the Supplier will either replace the item at their cost or reimburse the Buyer.

11) Loss and Indemnity: The Supplier shall compensate the Buyer in full on demand for all loss, damage or injury to the Buyer which results from the Suppliers failure to comply with the Contract (whether negligent or otherwise).

12) Insurance: The Supplier shall be at all times fully insured with a reputable insurer against all insurable liability under the Contract.

13) Inspection and Test: The Supplier must inspect the goods prior to dispatch to ensure conformance to specification and/or any other provisions of the contract. The Buyer reserves the right to inspect the goods for compliance with specifications and provisions of the contract. If, in the Buyers' opinion, the goods and/or services do not comply with the specification, the Buyer will inform the Supplier in writing. In such a case the Supplier shall take the necessary action to ensure compliance, liability for any additional cost incurred for rectifying compliance will rest with the Supplier.

14) Changes: The Buyer reserves the right to make reasonable changes at any time to the specification, drawings, plans, quantity, packing instructions, destination, or delivery instruction. If any such change affects the price of goods or performance of service the Supplier and Buyer may negotiate an equitable adjustment to the contract, provided that the Supplier claims for adjustments in



writing to the Buyer within 3 days from being notified of any change.

15) Export License: If an export license or licenses are required for the goods, the Supplier has the responsibility to obtain that license or licenses.

16) Payment Terms: Unless otherwise agreed, payment terms will be 15 working days from the receipt of goods and invoice.

17) Ethics: The nature of (RDF) operations necessitates that the Supplier must maintain ethical and moral standards including but not limited to, no discrimination on the basis of race, gender, religion or age, avoidance of materials/services provided with the use of slavery including child labor. Failure to maintain such standards, in the opinion of the buyer, may result in termination of the business relationship between the Buyer and Supplier. (RDF) is a signatory to and supporter of the UEP Supplier Code of Conduct policy, which the Supplier must comply with.

18) Rights of (RDF): Should the Supplier fail to perform under the terms and conditions of the contract, including but not limited to failing to obtain export licenses or to make delivery of all or part of the goods by the agreed delivery date(s), the Buyer may, after giving reasonable notice to the Supplier, exercise one or more of the following rights:

Procure all or part of the goods from an alternate source, in which event the Buyer may hold the Supplier liable for additional costs incurred.

Refuse to accept all or part of the goods. Terminate the contract.

19) No Agency: This order does not create a partnership between the Buyer and Supplier or make one party the agent for the other for any purpose.

20) Severability: If any provision in this Agreement is deemed to be, or becomes invalid, illegal, void or unenforceable under applicable law, such provision will be deemed amended to conform to applicable law so as to become valid and enforceable, or if it cannot be so amended without materially altering the intention of the parties, it will be deleted, but the validity, legality and enforceability of the remaining provisions of this Agreement shall not be impaired or affected in any way.

21) Jurisdiction Clause: The Contract shall be governed by Pakistani law and the Supplier consents to the exclusive jurisdiction of the Pakistani courts in all matters regarding it except to the extent that the Buyer invokes the jurisdiction of the courts of any other country.

## **22) Waivers and Variations:**

22.1 A failure to exercise or delay in exercising a right or remedy provided by the Contract or by law does not constitute a waiver of the right or remedy or a waiver of other rights or remedies. No single or partial exercise of a right or remedy provided by the Contract or by law prevents further exercise of the right or remedy or the exercise of another right or remedy.

22.2 No variation of the Contract shall be effective unless it is made in writing and signed by each of the parties.

## **23. Service of Notices:**

23.1 Any notice given under the Contract shall be in writing and may be served: Personally;  
By registered or recorded delivery mail; By facsimile transmission (confirmed by post);  
By any other means which any party specifies by notice to the others.





23.2 Each party's address for the service of notice shall be at their registered address or such other address as specified by notice to the others.

23.3 A notice shall be deemed to have been served: If it was served in person, at the time of service; If it was served by post, 48 hours after it was posted; and if it was served by facsimile transmission, at the time of transmission (RDF) Ethical Purchasing Policy (RDF) seeks to purchase goods and services which:

Are produced and delivered under conditions that do not involve the abuse or exploitation of any persons.

**This policy has been adapted from RDF Ethical Purchasing Policy which UEP supports.**

Have the least negative impact on the environment. Regarding the required Code of Conduct for Suppliers, this is summarized as follows: Employment is freely chosen. The rights of staff to freedom of association and to collective bargaining are respected. Working conditions are safe and hygienic. No exploitation of children.

Wages paid are adequate to cover the cost of a reasonable living. Working hours are not excessive. No discrimination is practiced. No harsh or inhumane treatment of staff is allowed.



**(Doc: 4) Declaration of Eligibility**

Tenderer / Supplier:

---

I, the undersigned (*Name and address of representative*)

Representative of

---

(*Name and address of company*)

Declare none of the following conditions is applicable to us;

- Are not registered companies.
- Are not bankrupt or in the process of going bankrupt.
- Have been convicted for an offense concerning professional conduct.
- Have been guilty of grave professional misconduct (proven by any means which the contracting authorities can justify).
- Have not fulfilled obligations related to payment of taxes.
- Are guilty of serious misinterpretation in supplying information.
- Are in situation of conflict of interest (with prior relationship to project or family or business relationship to parties on Research & Development Foundation (RDF)).
- Were declared as serious fault of implementation owing to a breach of their contractual obligations.
- Are on any list of sanctioned parties issued by the Pakistan Government, United Nations, United States Government and European Union.

In the presence of

Declared

---

(*Name & Signature*)

---

(*Stamp*)

---

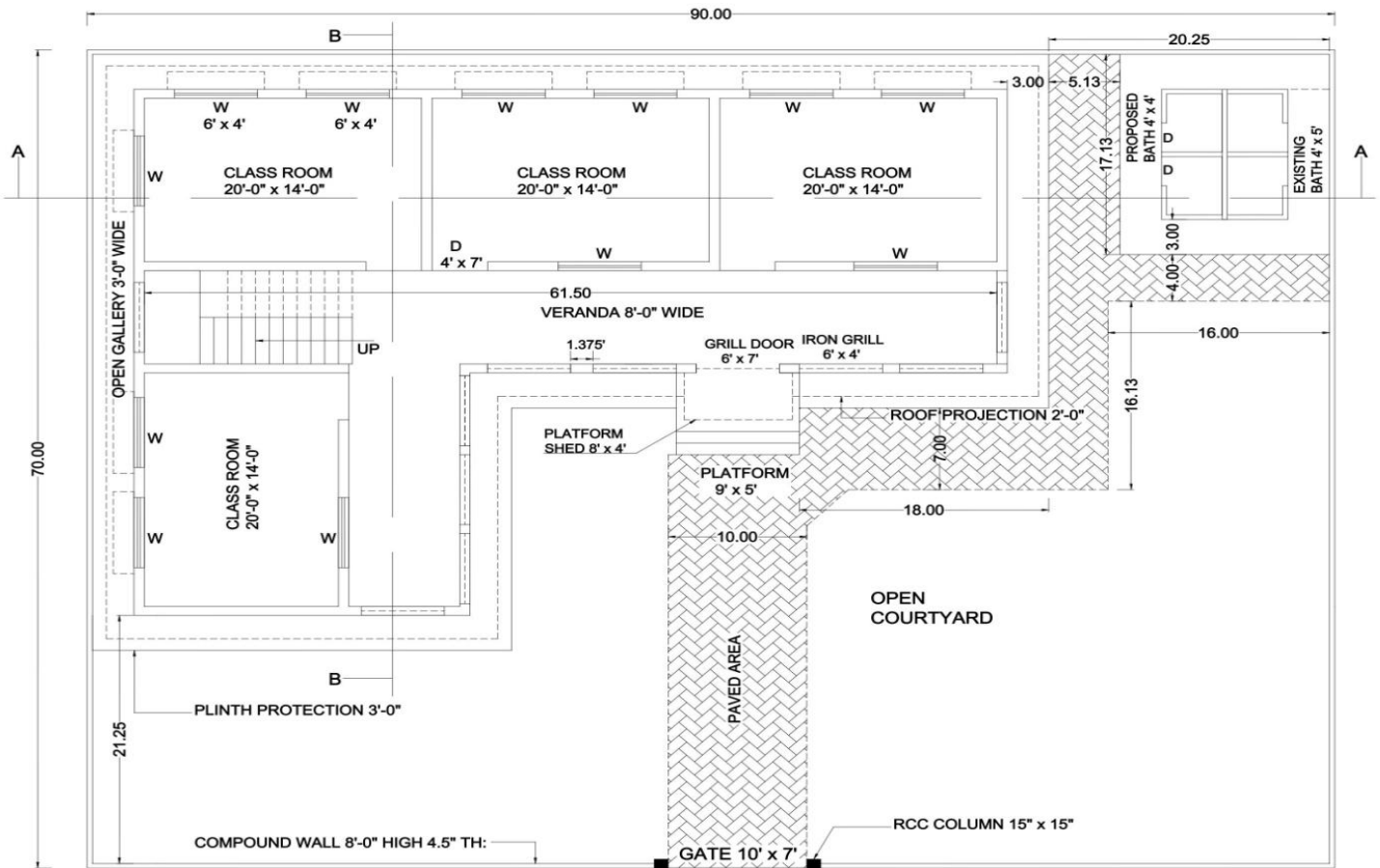
(*Name, address*)

---

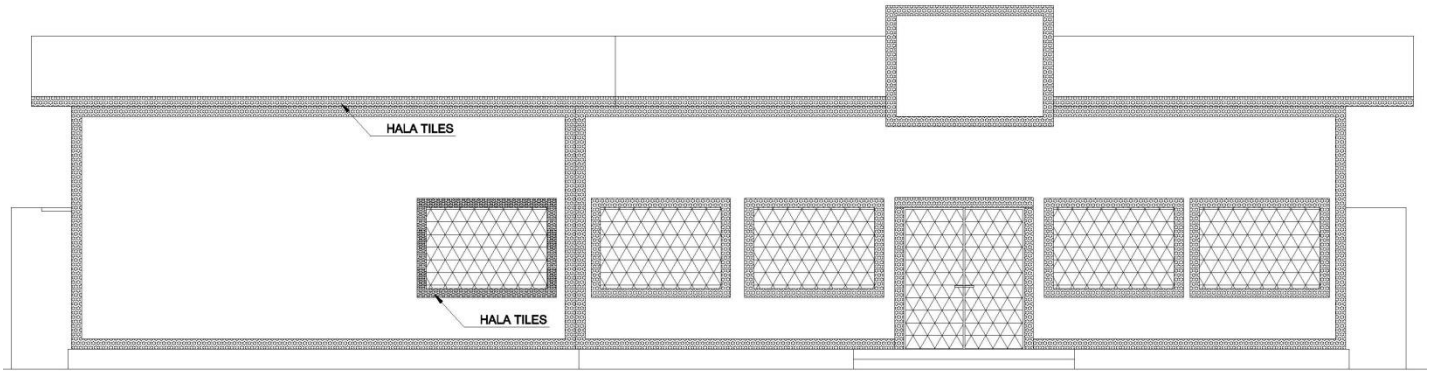
(*Location, date*)



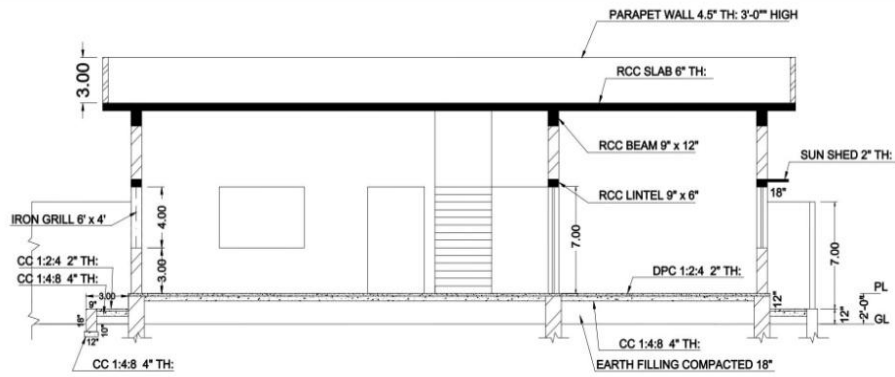
Detail drawings:



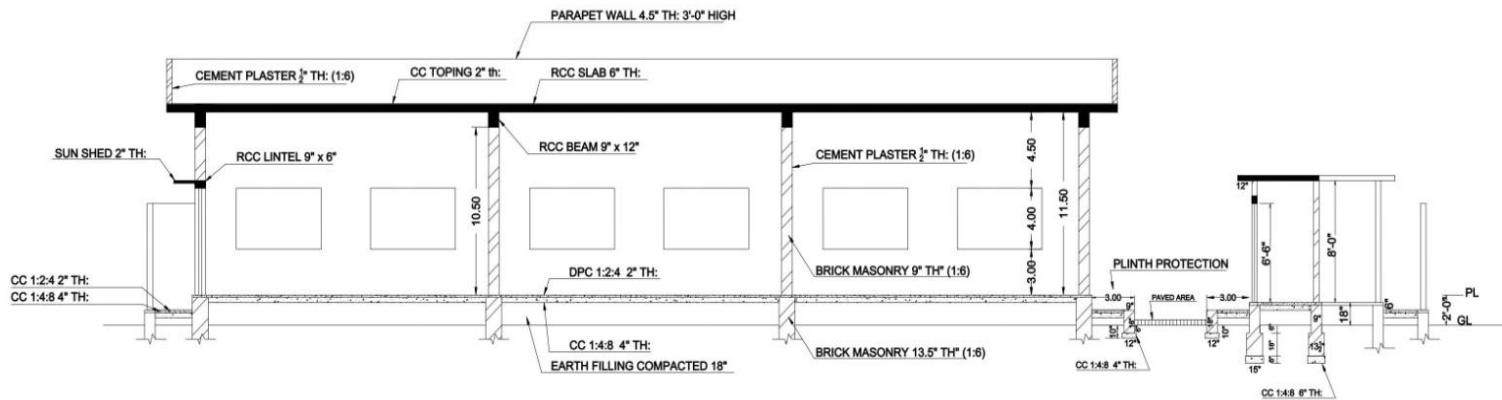
GROUND FLOOR PLAN



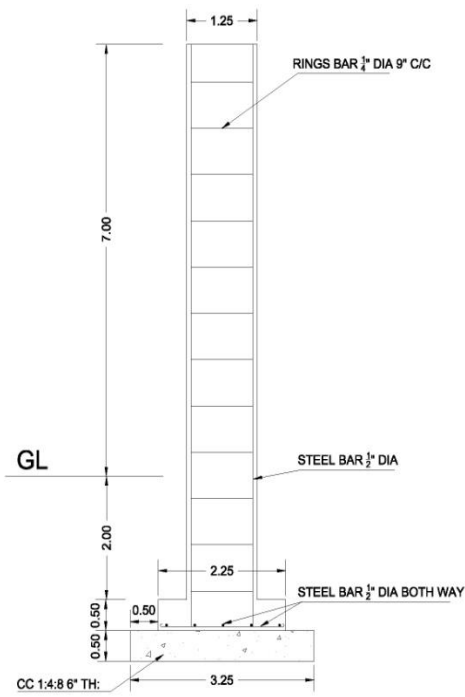
FRONT ELEVATION



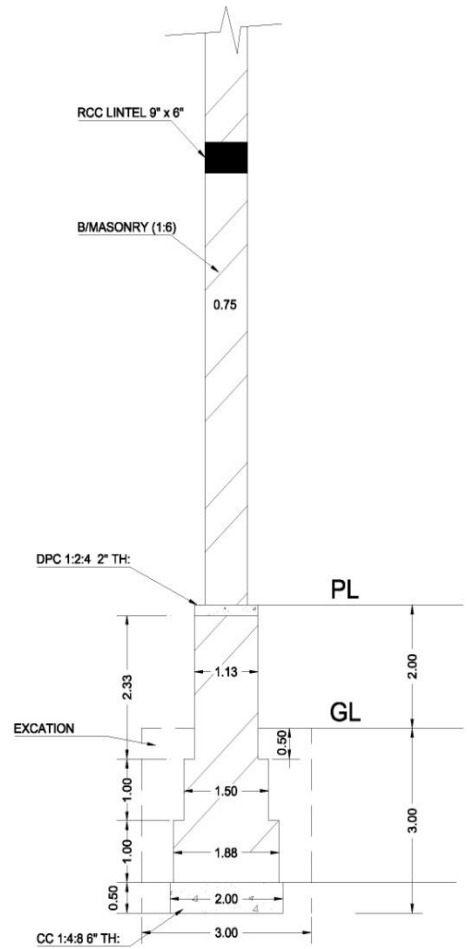
SECTION AT B-B



SECTION AT A-A



15" x 15" TH: RCC COLUMN SECTION FOR GATE



9" TH: WALL SECTION

CC 1:2:4:  
CC 1:4:8:

GOVT: PRIMARY SCHOOL @ VILLAGE  
ALI AKBAR NIZAMANI DISTRICT SANGHAR

SECTION OF WALL & RCC COLUMN FOR GATE



**(Doc: 5) PRICE SCHEDULE**

Tender Ref: RDF/UEP/GPS Ali Akber Nizamani/07/12-11-2017/30

**Date:**

Please mention your bid / quote on this form along with your sign and stamp on each page or in the same manner on your letter head. All supplies are to be deliver at Govt: Primary School at Village Ali Akbar Nizamani District Badin.

**Lot # 01. (A) Supply of construction material for School Building**

S.no	Items	Description	Estimated Qty in No's A	Unit	Unit price inclusive of taxes, packing, loading/unloading, labeling and transportation (To be filled in PKR by the bidder ) B	Total price per item inclusive of all applicable taxes, packing, loading/unloading, labeling, Transportation C= A x B	Delivery Time in Days after PO / Purchase Contract
1	Cement	SR (Lucky/Pak Land)	505	Bags			
2	Cement	OPC (Lucky/ Pak Land)	350	Bags			
3	Hill Sand	Bolhari (Mixed)	6700	Cft.			
4	Crush	Size (1/2"-3/4")	2136	Cft.			
5	Stone Ballast	Size (1.5"-2")	1269	Cft.			
6	Bricks	1st Class (Size 9" x 4.5"x 3")	61102	No.s			
7	Steel	Mild Steel dia as per need	5500	Kg			
8	Filling (Soil)	Loose soil	4705	Cft.			
9	Ceramic Tile.	Shabir (Standard) size 8"x12" / 10"x13" for front elevation	25	Meters			
10	Door	Size of door 4' x 7', GI frame 16 Gauge with two wooden Panel (Russian dayar) including all accessories.	4	No.s			



11	Windows	Size of Window 5' x 4', GI frame 16 gauge with welded grills & three wooden Panels of (Russian dayar) including all accessories.	12	No.s			
12	Steel Grill	Av: weight of grill 1.25kg /sft	800	Kg			
13	Color	Internal Distemper, External side weather Shield & Door windows oil paint.	1	No.s			
14	Electric Work	Concealed wiring, fitting with abid co button and pvc board.(four class room, stair case area and corridor)	4	No.s			
15	Bitumen	Good quality	25	Kg			
16	Termite (Liquid)	Bottle 5litres	20	Lit			
<b>Total Amount</b>							

Name of Bidder: \_\_\_\_\_

Date: \_\_\_\_\_

Sign & Stamp of Bidder: \_\_\_\_\_



**(Doc: 5) PRICE SCHEDULE**

**Tender Ref: RDF/UEP/GPS Ali Akber Nizamani/07/12-11-2017/30**

**Date:**

Please mention your bid / quote on this form along with your sign and stamp on each page or in the same manner on your letter head. All supplies are to be deliver at Govt: Primary School at Village Ali Akbar Nizamani District Badin.

**(B) Supply of construction material for Lavatory Unit**

S.no	Items	Description	Estimated Qty in No's A	Unit	Unit price inclusive of taxes, packing, loading/unloading, labeling and transportation (To be filled in PKR by the bidder ) B	Total price per item inclusive of all applicable taxes, packing, loading/unloading, labeling, Transportation C= A x B	Delivery Time in Days after PO / Purchase Contract
1	Cement	OPC (Lucky/Pakland)	25	Bags			
2	Cement	SR (Lucky/Pakland)	14	Bags			
3	H. Sand	Bolhari	398	Cft			
4	Crush	Size (1/2"-3/4")	107	Cft			
5	Bricks	1st Class (Size 9" x 4.5"x 3")	6500	No.s			
6	Steel	Mild Steel dia as per need	200	Kg			
8	Filling	Loose Clay	100	Cft			
9	Tile	(Shabir /Standard) Size 10" X 13"	25	Sq: meter			
10	Iron Door	Size 2.5' x 6.5' Av: weight of door 40 Kg	80	Kg			
11	CC Jali	Size 12" x 18"	4	No.s			





12	Colour	Internal Distemper, External side weather Shield & Doors oil paint	1	No.s			
13	Boring work	Manual 3" dia (Including casing, suction & filter pipes)	50	Rft			
14	Electric Motor Pump	(Kisan/Asli Punnjab)1/2 HP	1	No.s			
15	Plumbing work	PPR complete fitting with WC#2 with P-traps, Wash Basin#01complete set, Bib Cocks #04, Handle Valves #02, Elbows 24, Unions03, Tees06, UPVC pipe 4" dia 40rft,UPVC pipe 3" dia 16rft,4"x4"elbow 6No.s, 4"x4"x3" Tee 2No.s, Kawal02,clips02,Net 6"x6" 02 No.s, Padlo powder 5Kg etc	1	No.s			
16	Sanitary work	02 wash rooms & 01water tank including sewerage main line	2	No.s			
17	Electric Work	Two toilets & motor area complete with all accessories	1	No.s			
<b>Total Amount</b>							

Name of Bidder: \_\_\_\_\_

Date: \_\_\_\_\_

Sign & Stamp of Bidder: \_\_\_\_\_



**(Doc: 5) PRICE SCHEDULE**

**Tender Ref: RDF/UEP/GPS Ali Akber Nizamani/07/12-11-2017/30**

**Date:**

Please mention your bid / quote on this form along with your sign and stamp on each page or in the same manner on your letter head.  
All supplies are to be deliver at Govt: Primary School at Village Ali Akbar Nizamani District Badin.

**(C) Supply of construction material for rehabilitation of existing boundary wall**

<b>S.no</b>	<b>Items</b>	<b>Description</b>	<b>Estimated Qty in No's A</b>	<b>Unit</b>	<b>Unit price inclusive of taxes, packing, loading/ unloading, labeling and transportation (To be filled in PKR by the bidder ) B</b>	<b>Total price per item inclusive of all applicable taxes, packing, loading/ unloading, labeling, Transportation C= A x B</b>	<b>Delivery Time in Days after PO / Purchase Contract</b>
1	Cement	OPC (Lucky/Pakland)	53	Bag			
2	H.Sand	Bolhari	1228	Cft			
3	Crush	Size (1/2"-3/4")	34	Cft			
4	S.Ballast	Size (1.5"-2")	0	Cft			
5	Bricks	1st Class (Size 9" x 4.5"x 3")	3594	No.s			
6	Main Gate	GI Sheet 14/16 Guage (Size 10ft x 6ft) including colour	200	Kg			
8	Steel	Mild Steel dia as per need	200	Kg			



9	Color Work.	Colour distember two coat of (ICI/Corona Company)	2730	SFT			
10	Color Work.	Color red oxide in external side.	1800	SFT			
<b>Total Amount</b>							

Name of Bidder: \_\_\_\_\_

Date: \_\_\_\_\_

Sign & Stamp of Bidder: \_\_\_\_\_



**(Doc: 5) PRICE SCHEDULE**

**Tender Ref: RDF/UEP/GPS Ali Akber Nizamani/07/12-11-2017/30**

**Date:**

Please mention your bid / quote on this form along with your sign and stamp on each page or in the same manner on your letter head. All supplies are to be deliver at Govt: Primary School at Village Ali Akbar Nizamani District Badin.

**Lot # 02. (A) Labour work for Construction of School Building**

S.No	Item	Description	Quantity (A)	Unit	Unit price inclusive of taxes, packing, loading/ unloading, labeling and transportation (To be filled in PKR by the bidder ) B	Total price per item inclusive of all applicable taxes, packing, loading / unloading, labeling ,Transportation C= A x B	Delivery Time in Days after PO / Purchase Contract
1	Construction Charges	Load bearing structure with RCC Slab including plinth protection & windows projections with simple flooring (covered area).	2400	Sft			
2	Construction Charges	Construction of water tank over slab of lavatory unit covered, Septic tank 4ft x 6ft covered with RCC Slab.	01	No.s			
3	Construction Charges	Wall way with C.C.Block (P.C.C 6" thickness in two layers with side supporting walls )	800	Sft			
4	Dismantling Charges	Dismantling of existing old building (Including removing of all raw material from boundary wall)	1032	Sft			

**Name of Bidder:** \_\_\_\_\_

**Date:** \_\_\_\_\_

**Sign & Stamp of Bidder:** \_\_\_\_\_



**(Doc: 5) PRICE SCHEDULE**

**Tender Ref: RDF/UEP/GPS Ali Akber Nizamani/07/12-11-2017/30**

**Date:**

Please mention your bid / quote on this form along with your sign and stamp on each page or in the same manner on your letter head. All supplies are to be deliver at Govt: Primary School at Village Ali Akbar Nizamani District Badin.

**(B) Labour work for Construction of Lavatory Unit**

S.No	Item	Description	Quantity (A)	Unit	Unit price inclusive of taxes, packing, loading/ unloading, labeling and transportation (To be filled in PKR by the bidder ) B	Total price per item inclusive of all applicable taxes, packing, loading/ unloading, labeling, Transportation C= A x B	Delivery Time in Days after PO / Purchase Contract
1	Construction Charges	Load bearing structure with RCC Slab including plinth protection (covered area)	109	Sft			
2	Construction Charges	Construction of water tank over slab of lavatory unit covered, Septic tank 4ft x 6ft covered with RCC Slab.	01	No.s			

Name of Bidder: \_\_\_\_\_

Date: \_\_\_\_\_

Sign & Stamp of Bidder: \_\_\_\_\_



**(Doc: 5) PRICE SCHEDULE**

**Tender Ref: RDF/UEP/GPS Ali Akber Nizamani/07/12-11-2017/30**

**Date:**

Please mention your bid / quote on this form along with your sign and stamp on each page or in the same manner on your letter head. All supplies are to be deliver at Govt: Primary School at Village Ali Akbar Nizamani District Badin.

**(C) Labour work for Rehabilitation of Boundary Wall**

S.No	Item	Description	Quantity (A)	Unit	Unit price inclusive of taxes, packing, loading/ unloading, labeling and transportation (To be filled in PKR by the bidder ) B	Total price per item inclusive of all applicable taxes, packing, loading/ unloading, labeling, Transportation C= A x B	Delivery Time in Days after PO / Purchase Contract
1	1:4:8-Lean concrete 4" thick	As per required dimensions	75	SFT			
2	Brick Masonry Foundation.	Brick masonry 9" thickness,	215	SFT			
3	Brick Masonry super structure work.	Brick masonry 4.5" thickness, outer lining work like pointing	250	SFT			
4	Plaster work.	Double plaster	2730	SFT			
5	Mian Gate	RCC columns, foundation including plinth beam complete work.	1	No.s			

**Name of Bidder:** \_\_\_\_\_

**Date:** \_\_\_\_\_

**Sign & Stamp of Bidder:** \_\_\_\_\_



## Tender Document

<b>Location:</b> Research & development Foundation (RDF) House # A-50 Sindhi Muslim Cooperative Housing Society, Qasimabad, Hyderabad	<b>Tender Ref:</b> RDF/UEP/GPS Ali Akber Nizamani /07 /12-11-2017/30
<b>Project :</b> "UEP-GPS Ali Akber Nizamani" Badin	<b>Date:</b> November 12, 2017

### Tender Document Receipt

<b>Tenderer / Supplier Name:</b>	
<b>Address:</b>	
<b>Contact Number:</b>	<b>Email:</b>

I hereby acknowledge receipt of one set of tender documentation for the above project.

1. Tender Notice
2. General Conditions for Tender
3. Declaration of Eligibility
4. Bid Form suppliers
5. Price Schedule of Supplies
6. RDF/UEP Participant Protection Policy
7. Tender Document Receipt

<b>First Name and Last Name:</b>	
<b>Signature &amp; Stamp:</b>	
<b>Date and Time:</b>	